

Series ATS

Universal adapter for filling to reservoir

Possible use with oil filter/air breather filler caps

type:

- TA 80

- TAP 90

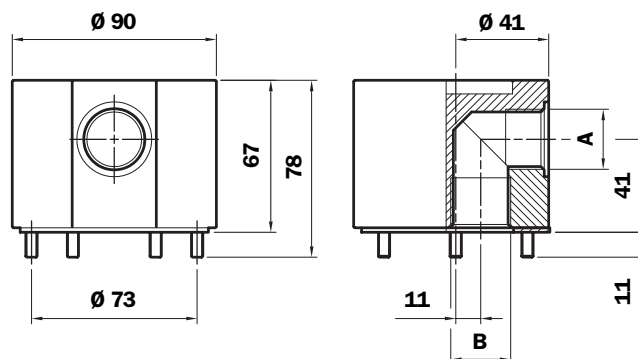
- TAP 115

- SCS 100 F

Dimensions



Adapter for Filler and breather plugs



ATS (Materials)

1 - Adapter: Anodised Aluminium

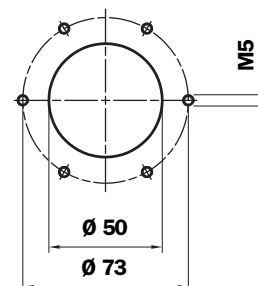
2 - Screws: Steel

3 - Seals: NBR
FPM
Cork Gasket

Weight

ATS: 1 Kg

Reservoir holes



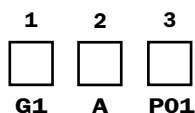
Connection	A	B
G1	G 3/4"	G 3/4"
G2	SAE 12	1 1/16" 12 UN

Ordering information

Adapter for filler caps

ATS 1

Example: ATS 1



1 - Connection

G1	G 3/4"
G2	SAE 20 (1 1/16" 12 UN)

2 - Seal

A	NBR
B	Cork gasket
V	FPM

3 - Options

P01	MP Filtri standard
-----	--------------------