

TAP 50 GENERAL INFORMATION

Technical data

Air breathers & Filler plugs

Nylon oil filler and breather plug

Flow rate up to 200 l/min

TAP50 is a range of compact plastic air breathers and filler caps for protection of the tank against the solid contamination contained into the air and filling of the fluid into the systems during the commissioning and maintenance procedures.

Available features:

- Flanged connection with bayonet, for a maximum flow rate of 200 l/min
- Fine cellulose filtration, to get a good cleanliness level into the reservoir
- Filling basket, to hold the coarse contamination contained into the fluid and to diffuse the fluid flow into the tank

Common applications:

- Compact hydraulic systems
- Compact mobile machines
- Industrial equipment

Flow rate Δp 0.02 bar

	Flow rate [l/min]	
	Filtration rating	03
TAP50	180	202

Materials

- Cover/ringnut: Nylon
- Filter element: Resin impregnate paper, Polyurethane
- Pressurization valve: Nylon, Galvanized steel, NBR
- Seals: NBR
- Flange: Nylon
- Screws: Galvanized steel
- Basket: Nylon

Temperature

From -25 °C to +100 °C

Weight

0.60 kg

Quantity

10 pcs/pack



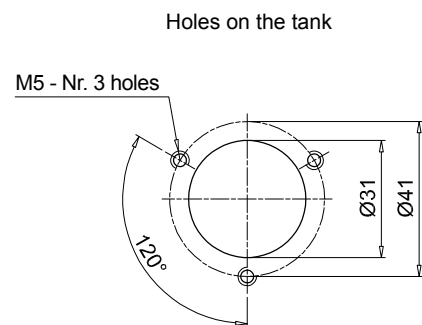
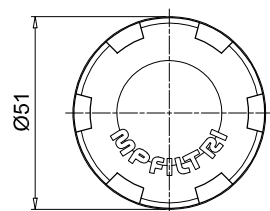
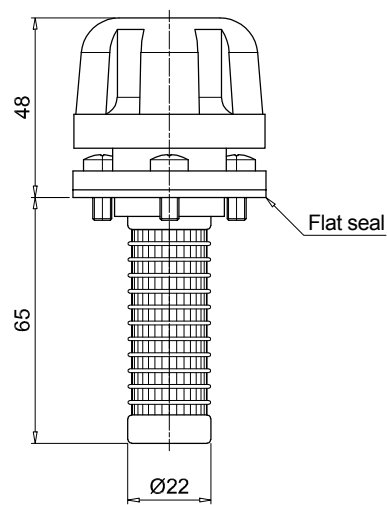
Designation & Ordering code

COMPLETE OIL FILLER PLUG - TAP50

Series and size	Configuration example :							
TAP50 Nylon oil filler and breather plug	TAP50	C	03	A	1	1	P01	
Connections to the tank								
C Screwed flange with G 3/4" mount								
Filtration rating								
03 Resin impregnate paper 3 µm								
10 Polyuretane 10 µm								
Seals								
A NBR								
Valve								
0 Without valve								
1 0.5 bar pressurization valve								
Basket								
1 With basket								
								Execution
								P01 MP Filtri standard
								Pxx Customized

TAP50

Screwed flange



TAP 90 GENERAL INFORMATION

Technical data

Air breathers & Filler plugs

Nylon oil filler and air breather filler cap Flow rate up to 550 l/min

TAP90 is a range of plastic air breathers and filler caps for protection of the tank against the solid contamination contained into the air and filling of the fluid into the systems during the commissioning and maintenance procedures.

They are usually directly fitted on the tank.

Available features:

- Male threaded connections up to 1 1/2" and flanged connection with bayonet, for a maximum flow rate of 550 l/min
- Fine cellulose filtration, to get a good cleanliness level into the reservoir
- Pressurization valve with different setting, to guarantee a positive pressure into the tank in any application with metal or plastic tanks
- Padlock tab, to secure the air breather to the tank
- Filling basket, to hold the coarse contamination contained into the fluid and to diffuse the fluid flow into the tank
- Dipstick, to monitor the fluid level into the tank even in complicated positions

Common applications:

- Hydraulic systems
- Mobile machines
- Industrial equipment

Flow rate Δp 0.02 bar

TAP90	Flow rate [l/min]	
	Filtration rating 03	10
	450	550

Materials

- Cover/Ringnut: Nylon
- Filter element: Resin impregnate paper, Polyurethane
- Pressurization valve: Nylon (bodies), Galvanized steel (end cap - disk), NBR (seals)
- Flange B: Nylon
- Seals: NBR
- Screws: Galvanized steel
- Padlock tab: Galvanized steel
- Chain, Ring: Brass
- Dipstick: Phosphatized steel
- Basket: Galvanized steel, Nylon

Temperature

From -25 °C to +100 °C

Weight

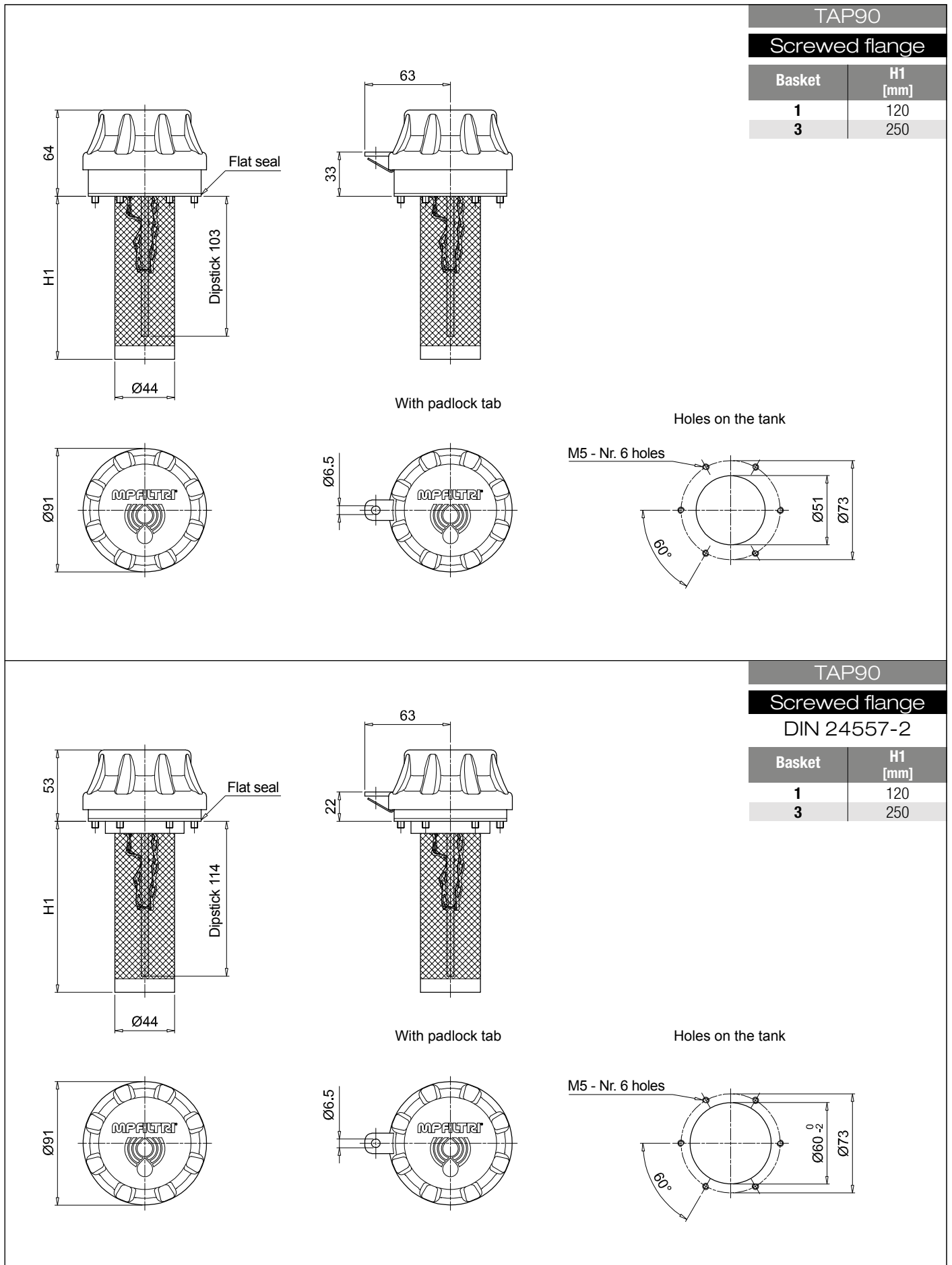
L 120 mm 0.25 kg
L 250 mm 0.31 kg



Designation & Ordering code

COMPLETE BREATHER PLUG - TAP90

Series and size	Configuration example 1 :										
TAP90	TAP90	R	03	A	1	A	1	P01			
	Configuration example 2 :										
	TAP90	G	10	A	2	L			P01		
Connections to the tank											
R Screwed flange with M52x2 mount	H Thread G 1 1/2"										
F Screwed flange DIN 24557-2	M Thread 3/4" NPT										
C Weld riser	G Thread M52x2										
Q Thread G 3/4"											
		Connection									
Filtration rating	R	F	C	Q	H	M	G				
00 Without filter (blind filler plug)	•	•	•								
03 Resin impregnate paper 3 µm	•	•	•	•	•	•	•				
10 Polyuretane 10 µm	•	•	•	•	•	•	•				
Valve											
0 Without valve											
1 0.3 bar pressurization valve											
2 0.7 bar pressurization valve											
Version											
0 Standard	A With dipstick										
L With padlock tab	F With padlock tab and dipstick										
		Connection									
Basket	R	F	C	Q	H	M	G				
0 Without basket	•	•	•								
1 With basket 120 mm	•	•	•								
3 With basket 250 mm	•	•	•								
Seals											
A NBR											
Execution											
										P01 MP Filtri standard	
										Pxx Customized	

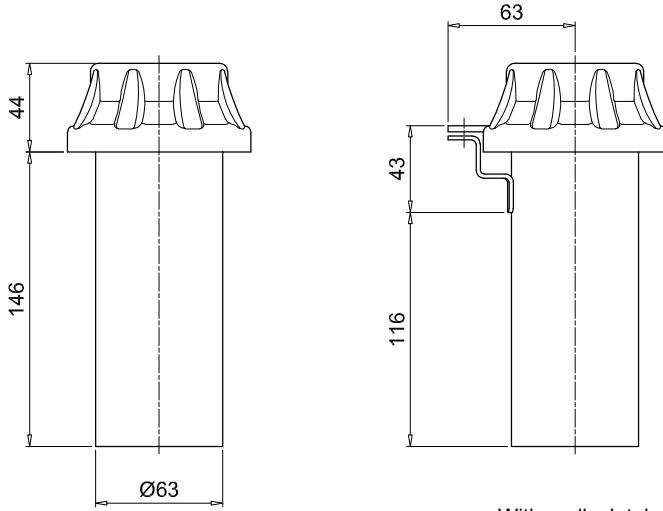


TAP 90

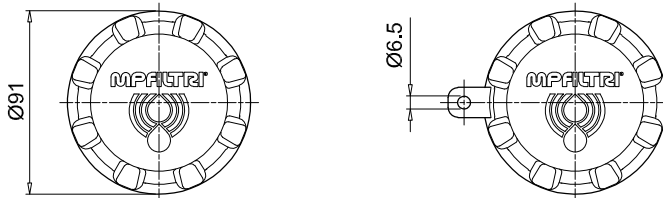
Dimensions

TAP90

Weld riser

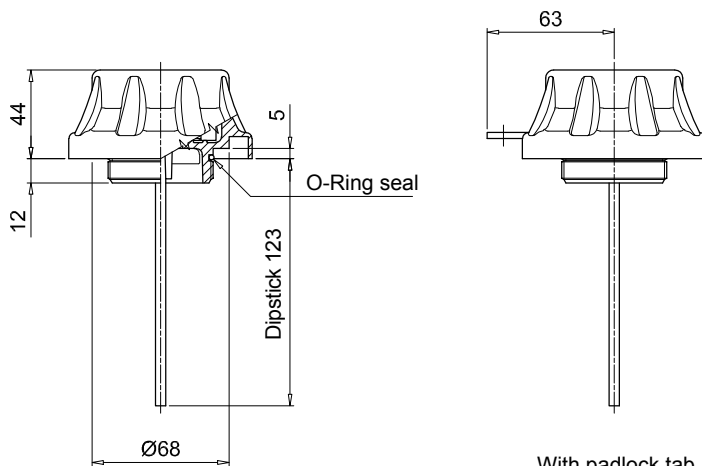


With padlock tab

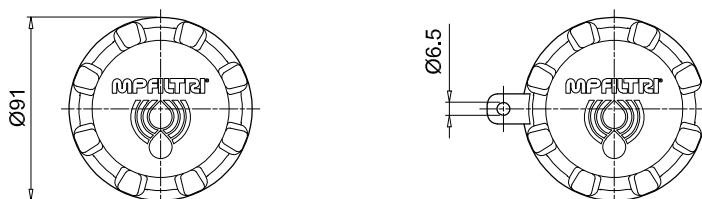


TAP90

Threaded connection

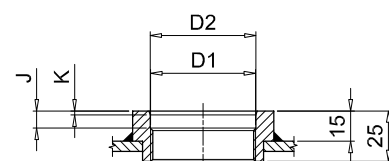


With padlock tab



Connection	D1 [mm]	D2 [mm]	J [mm]	K [mm]
Q	G 3/4"	-	-	-
H	G 1 1/2"	48.5	8.5	2x15°
M	3/4" NPT	-	-	-
G	M 52x2	52.5	8.5	2x15°

Housing on the tank for connections GH-MT



TAP 114 GENERAL INFORMATION

Technical data

Air breathers & Filler plugs

Nylon oil filler and air breather filler cap Flow rate up to 1600 l/min

TAP114 is a range of plastic large air breathers and filler caps for protection of the tank against the solid contamination contained into the air and filling of the fluid into the systems during the commissioning and maintenance procedures.

They are usually directly fitted on the tank.

Available features:

- Flanged connection, for a maximum flow rate of 1600 l/min
- Replaceable filter element
- Fine cellulose filtration, to get a good cleanliness level into the reservoir
- Polyester media is an option for heavy environmental conditions (high humidity, sand ...)
- Filling basket, to hold the coarse contamination contained into the fluid and to diffuse the fluid flow into the tank
- Dipstick, to monitor the fluid level into the tank even in complicated positions

Common applications:

- Hydraulic systems
- Mobile machines
- Industrial equipment

Flow rate Δp 0.02 bar

	Flow rate [l/min]
Filtration rating	L10
TAP114 length 1	1450
TAP114 length 3	1600

Materials

- Cover: Nylon
- Filter element: Resin impregnate paper
- Flange: Nylon
- Seals: NBR
- Screws: Galvanized steel
- Basket: Nylon

Temperature

From -25 °C to +100 °C

Weight

Length 1 - 0.185 kg
Length 2 - 0.200 kg



Designation & Ordering code

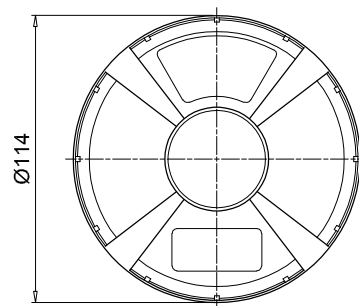
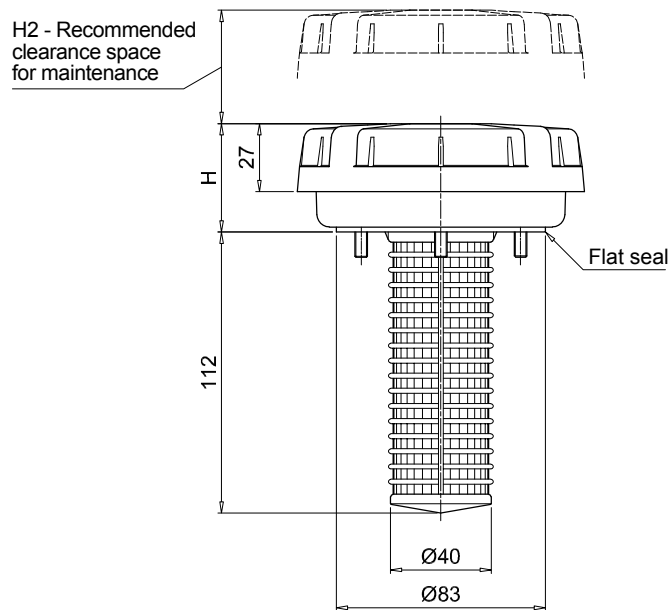
COMPLETE BREATHER PLUG - TAP114

Series and size	Configuration example : TAP114 1 L10 A 1 P01					
TAP114						
Length	1 3					
Filtration rating	L10 Resin impregnate paper 10 µm					
Seals	A NBR					
Version	1 With basket					
						Execution
						P01 MP Filtri standard
						Pxx Customized

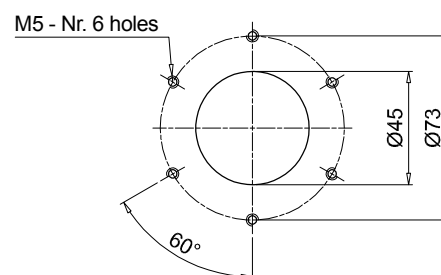
FILTER ELEMENT

Filter element series and size	Configuration example : A114 1 L10 P01			
A114				
Length	1 3			
Filtration rating	L10 Resin impregnate paper 10 µm			
				Execution
				P01 MP Filtri standard
				Pxx Customized

TAP114		
Length	H [mm]	H2 [mm]
1	43	30
3	58	45



Holes on the tank



TAP 115

Dimensions

TAP115		
Length	H [mm]	H2 [mm]
1	91	55
2	155	80

